

This Page Is Inserted by IFW Operations  
and is not a part of the Official Record

## **BEST AVAILABLE IMAGES**

Defective images within this document are accurate representations of the original documents submitted by the applicant.

Defects in the images may include (but are not limited to):

- BLACK BORDERS
- TEXT CUT OFF AT TOP, BOTTOM OR SIDES
- FADED TEXT
- ILLEGIBLE TEXT
- SKEWED/SLANTED IMAGES
- COLORED PHOTOS
- BLACK OR VERY BLACK AND WHITE DARK PHOTOS
- GRAY SCALE DOCUMENTS

**IMAGES ARE BEST AVAILABLE COPY.**

**As rescanning documents *will not* correct images,  
please do not report the images to the  
Image Problem Mailbox.**

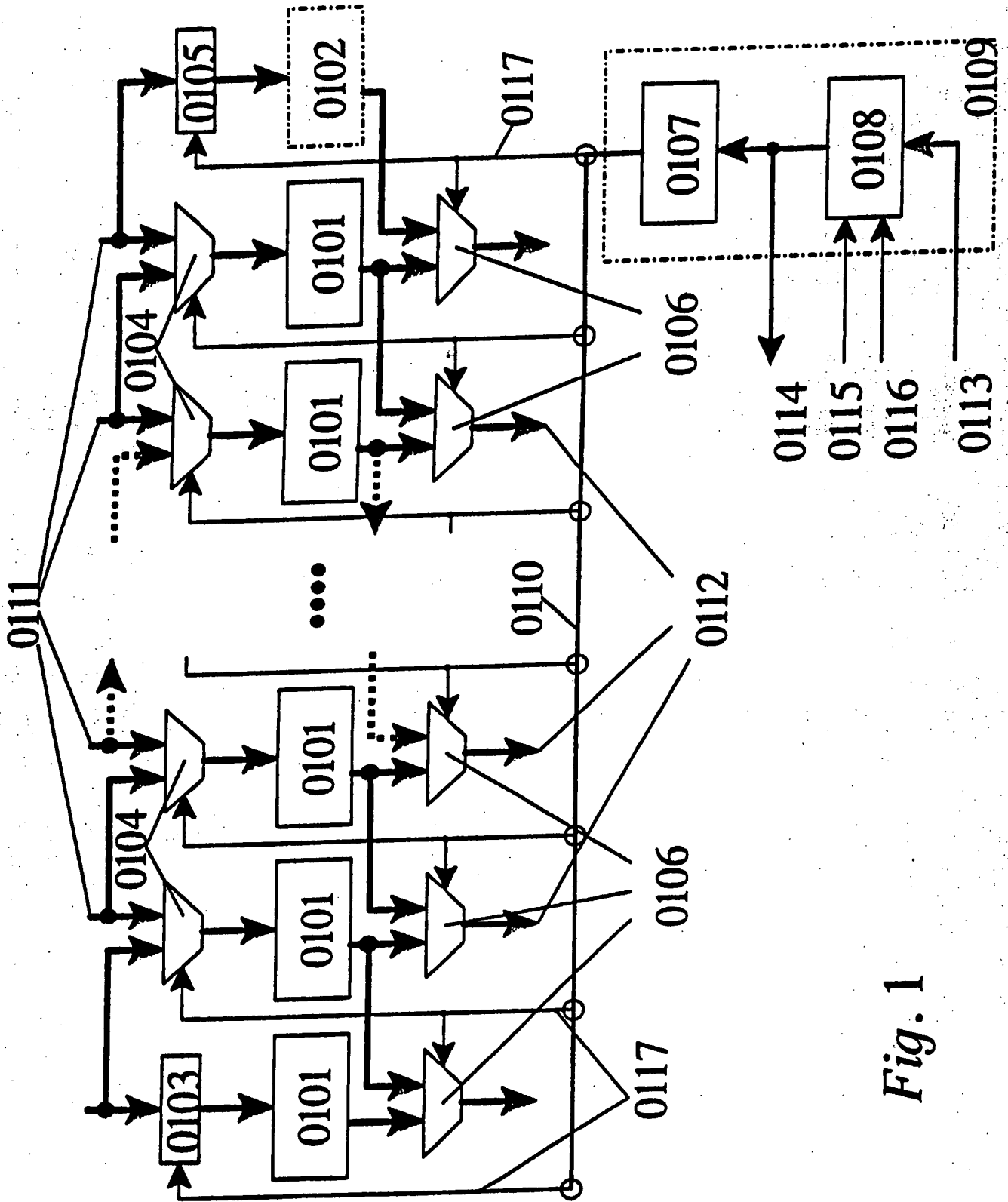


Fig. 1

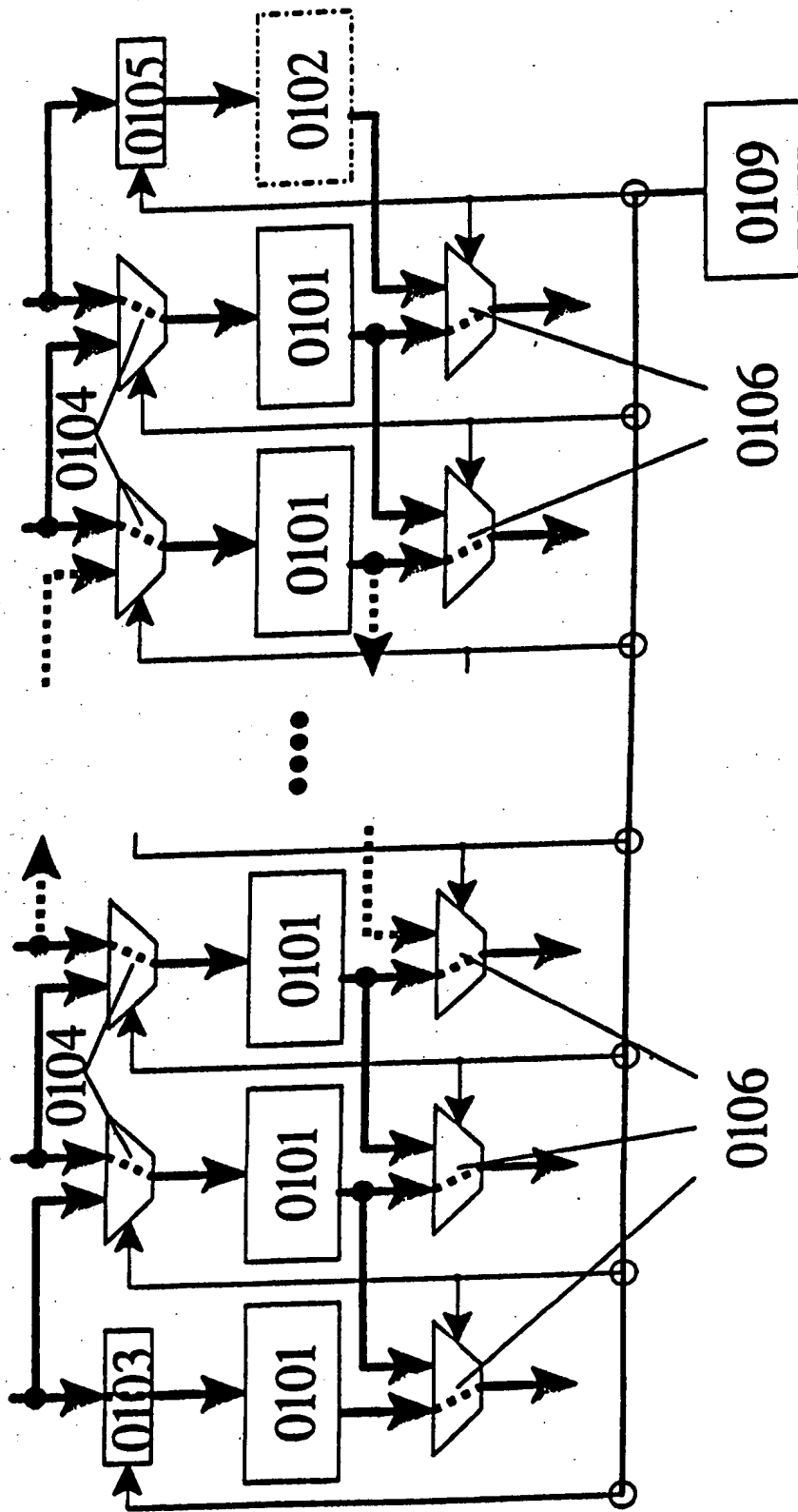


Fig. 2

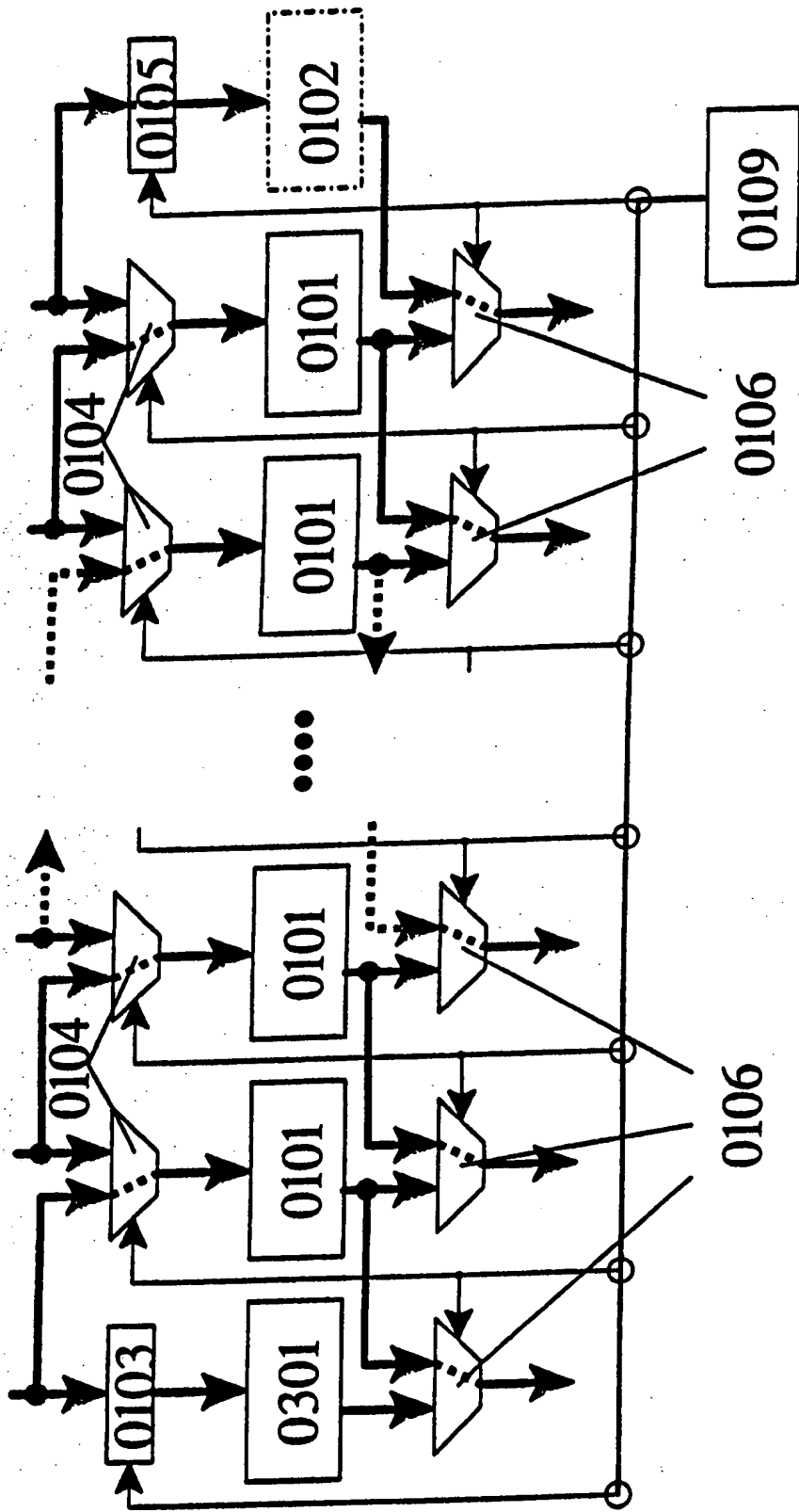


Fig. 3

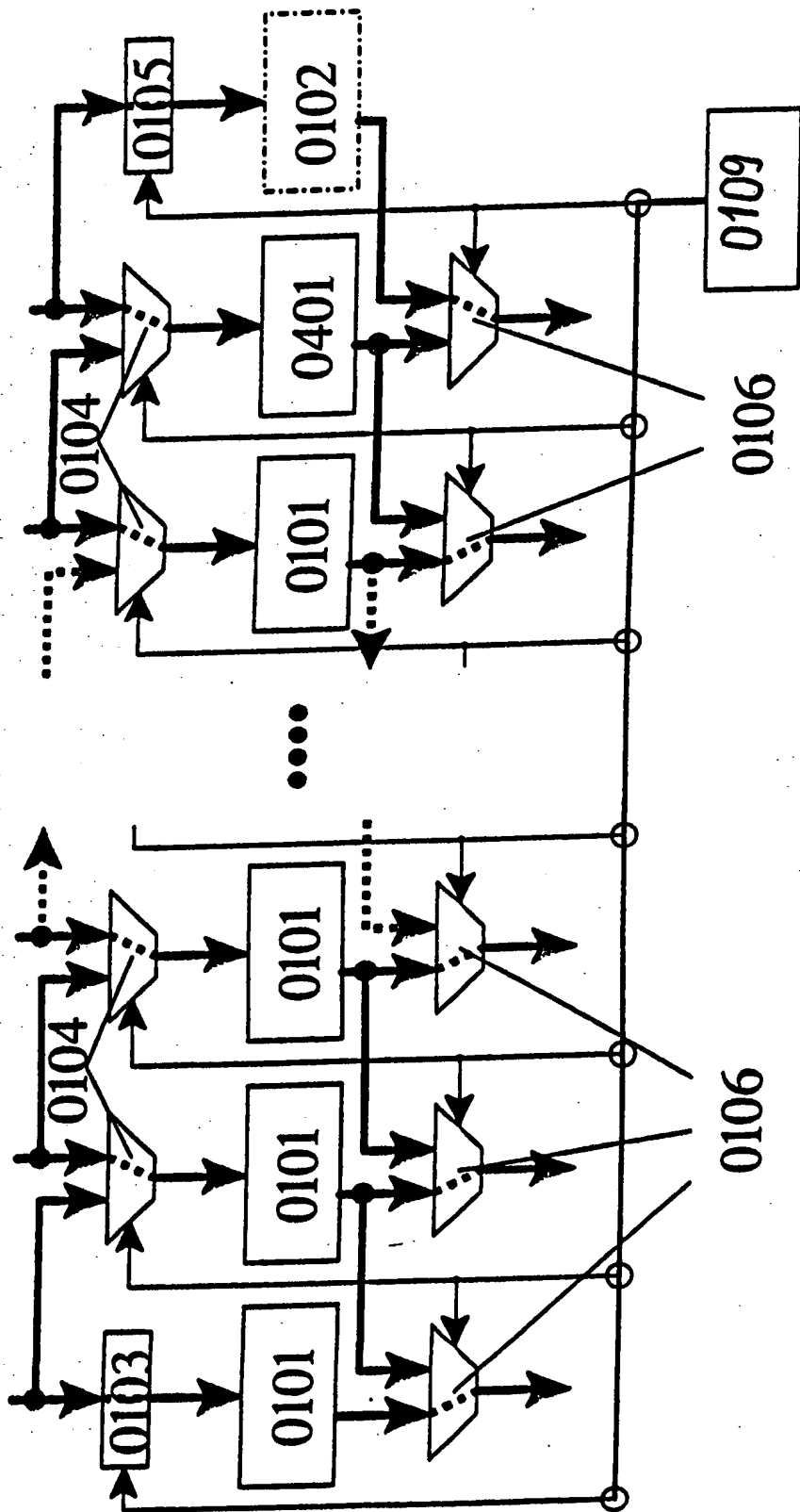


Fig. 4



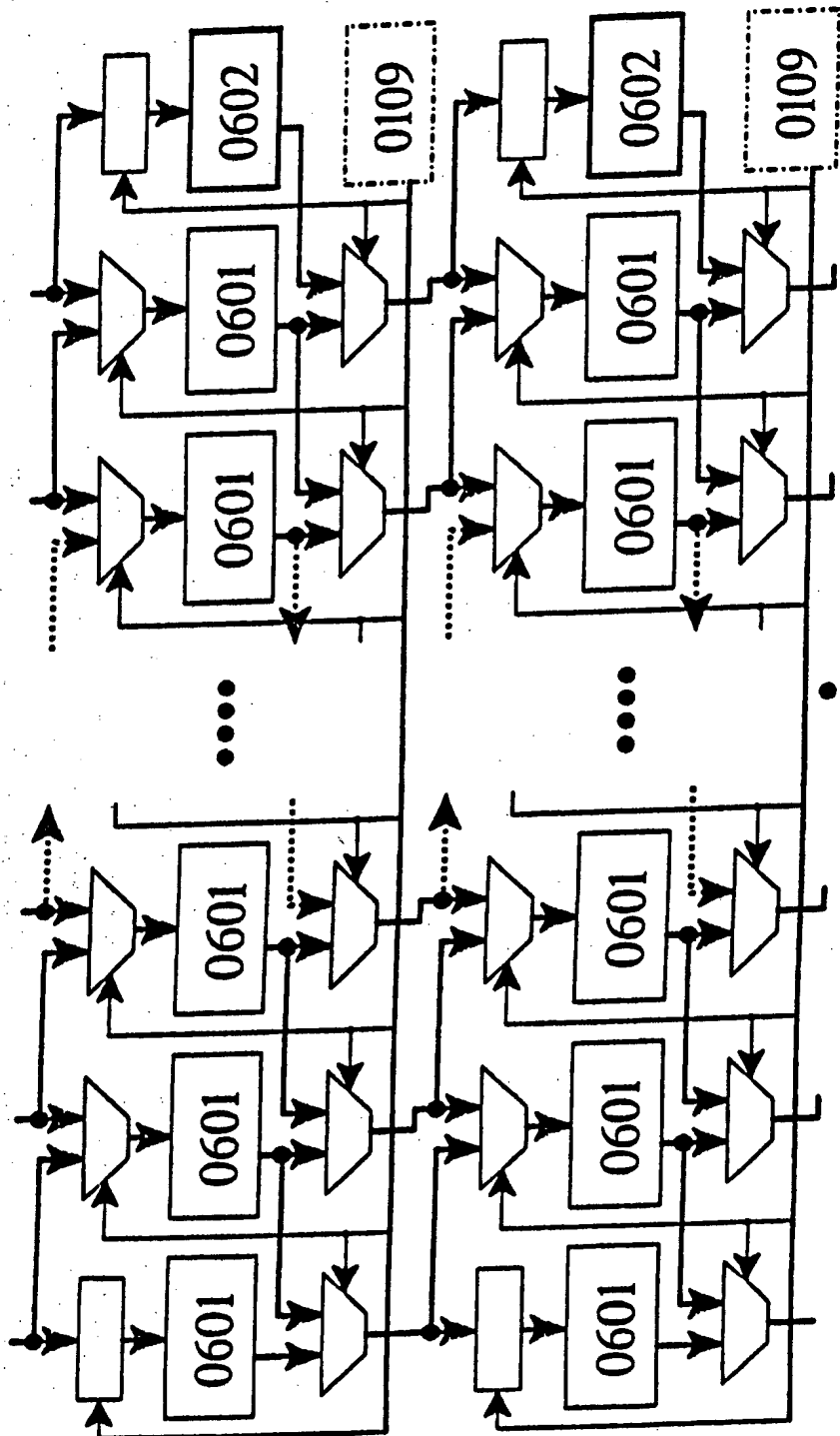


Fig. 6

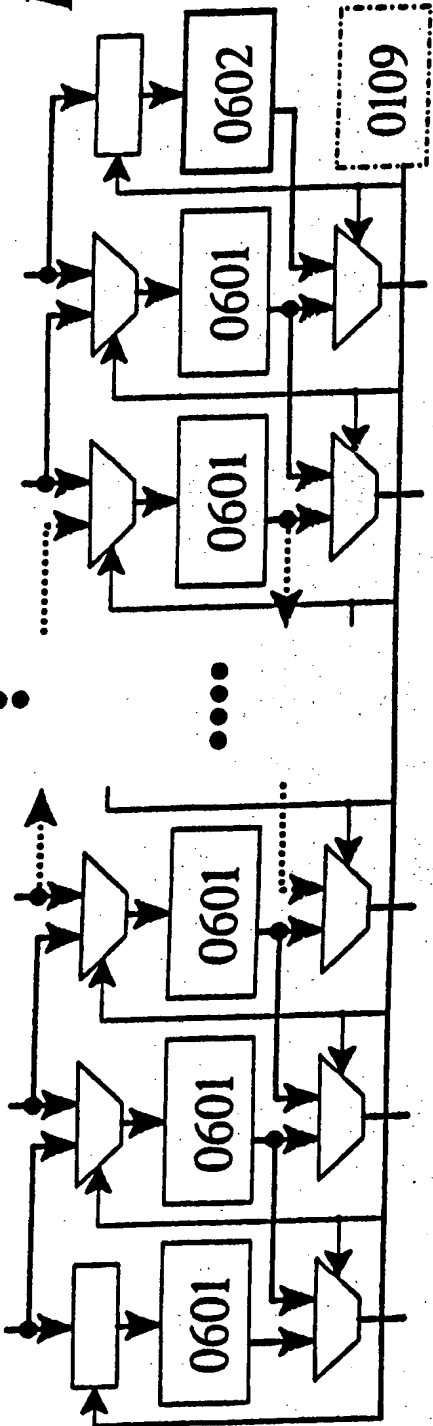


Fig. 7a

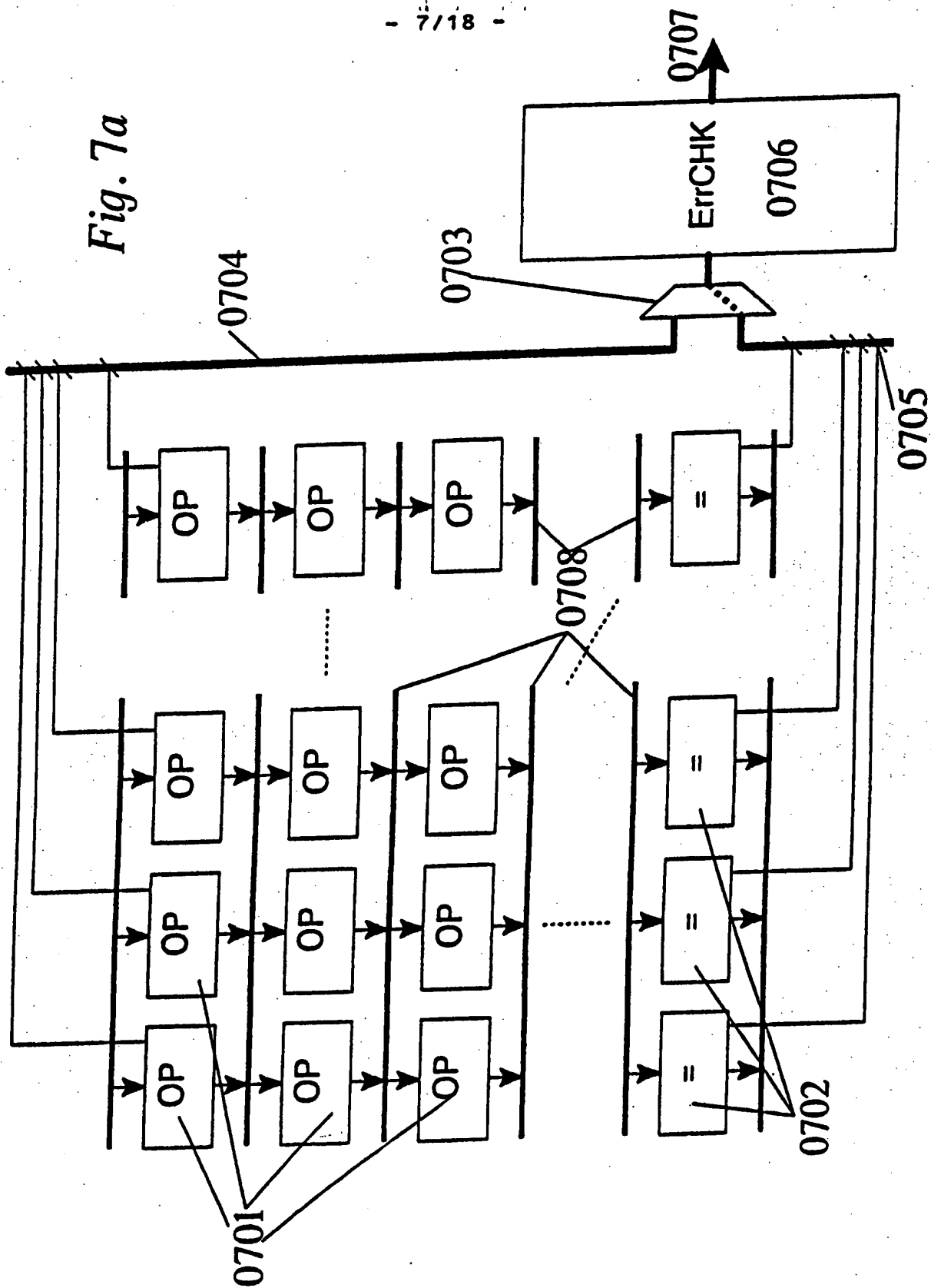




Fig. 7b

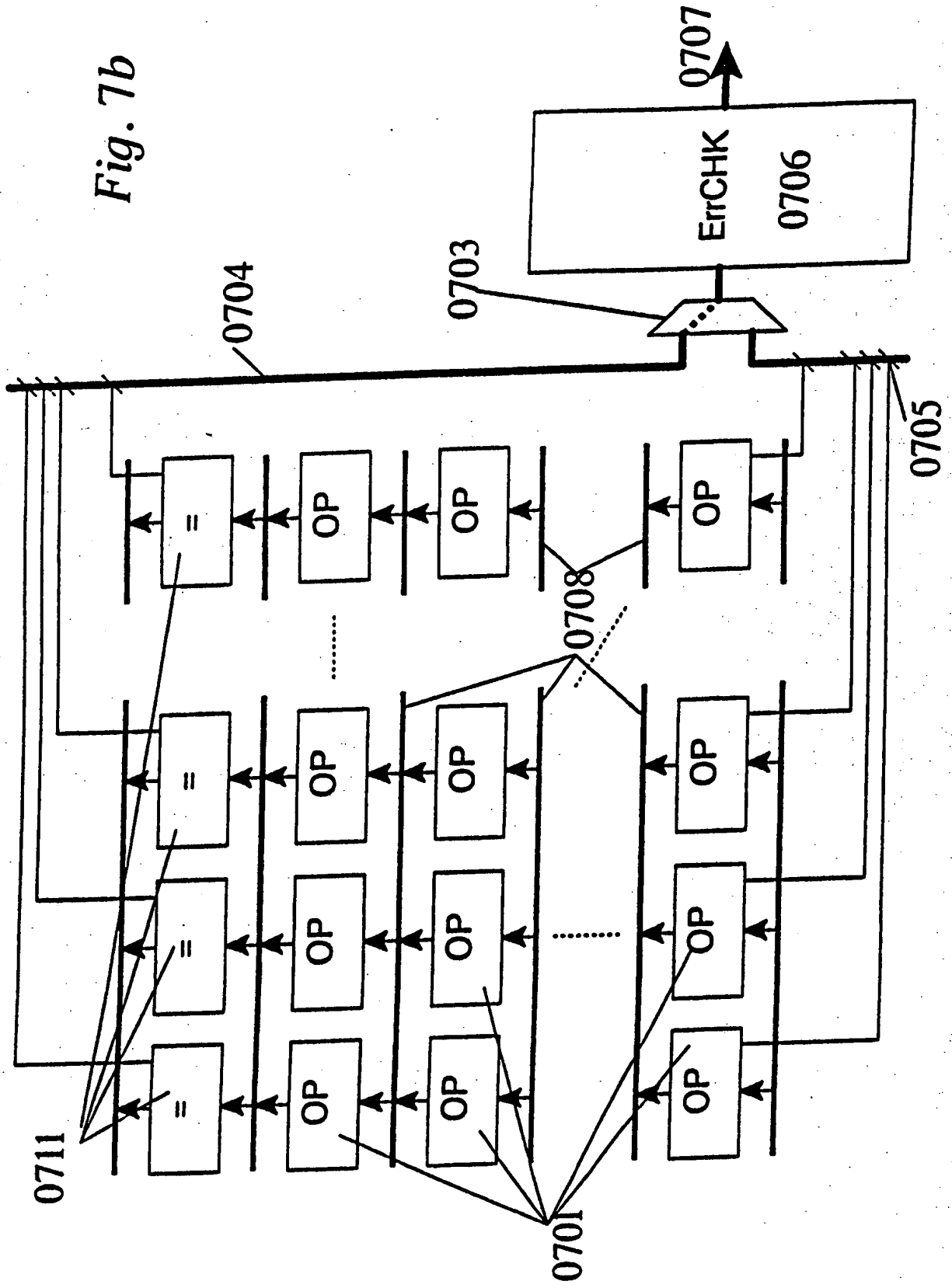


Fig. 8a

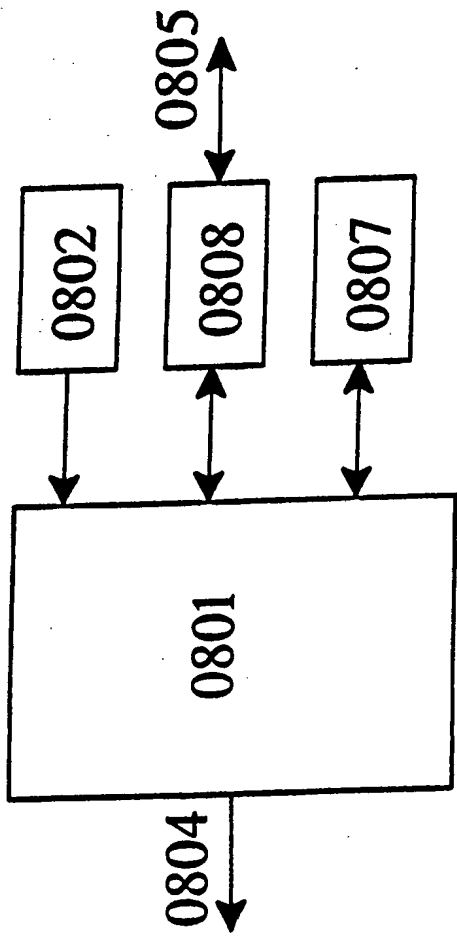


Fig. 8b

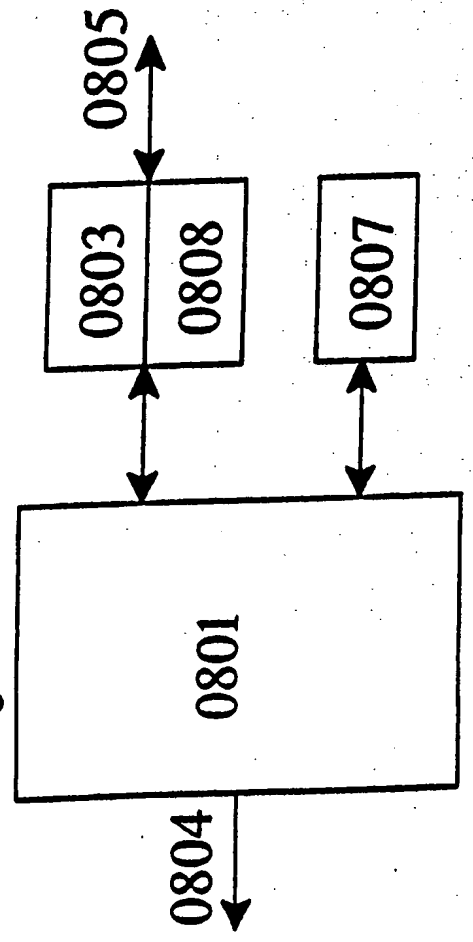
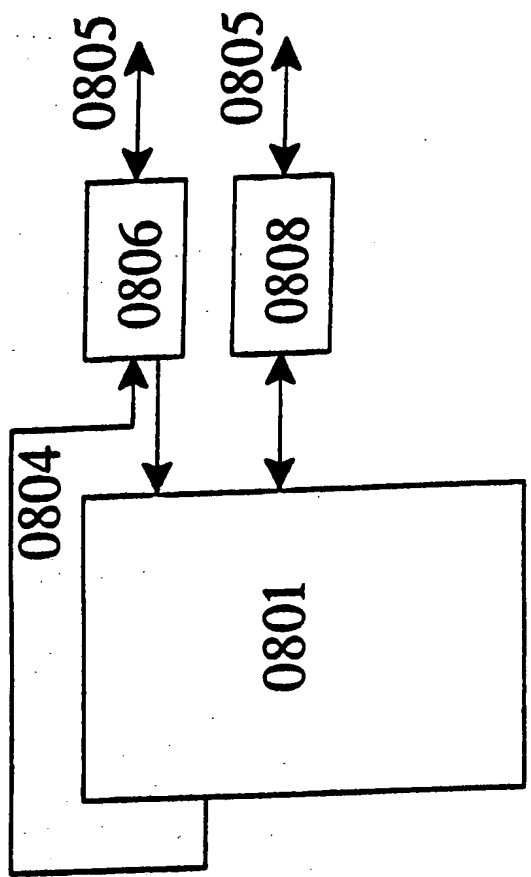


Fig. 8c



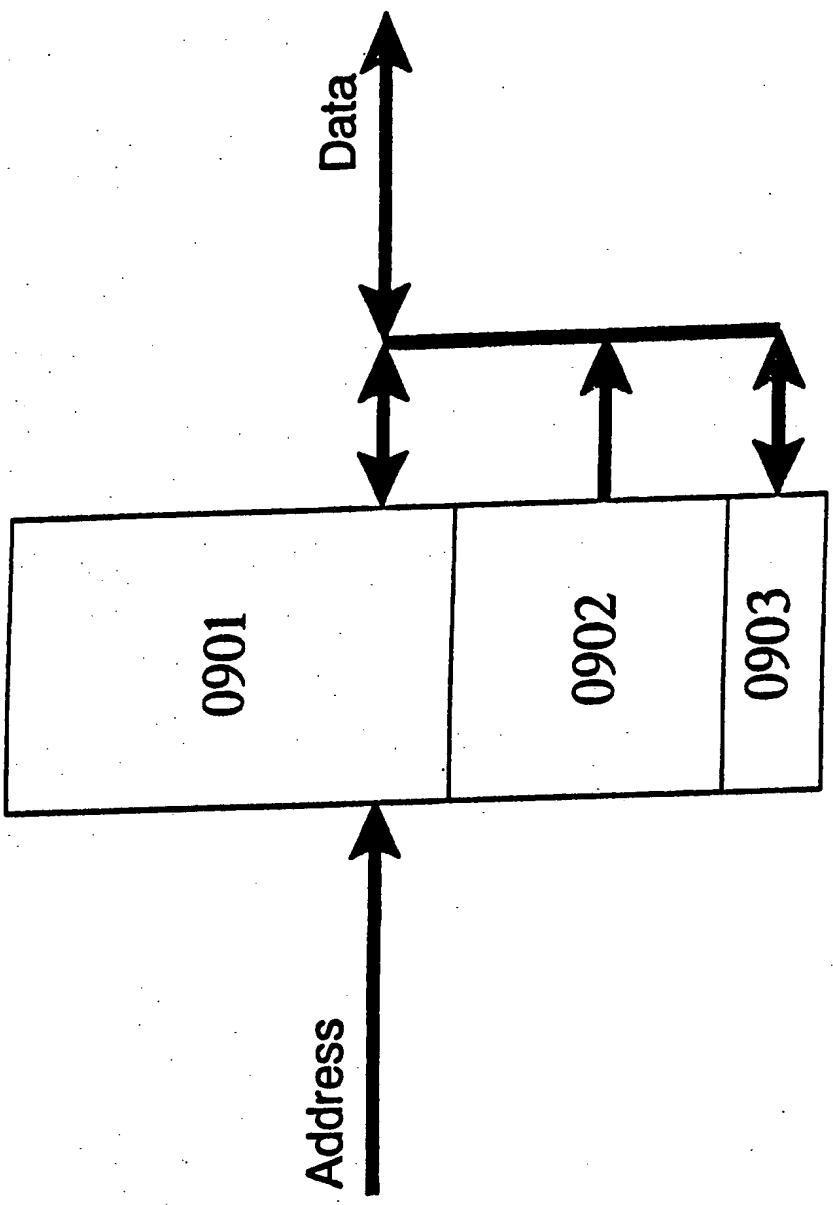


Fig. 9

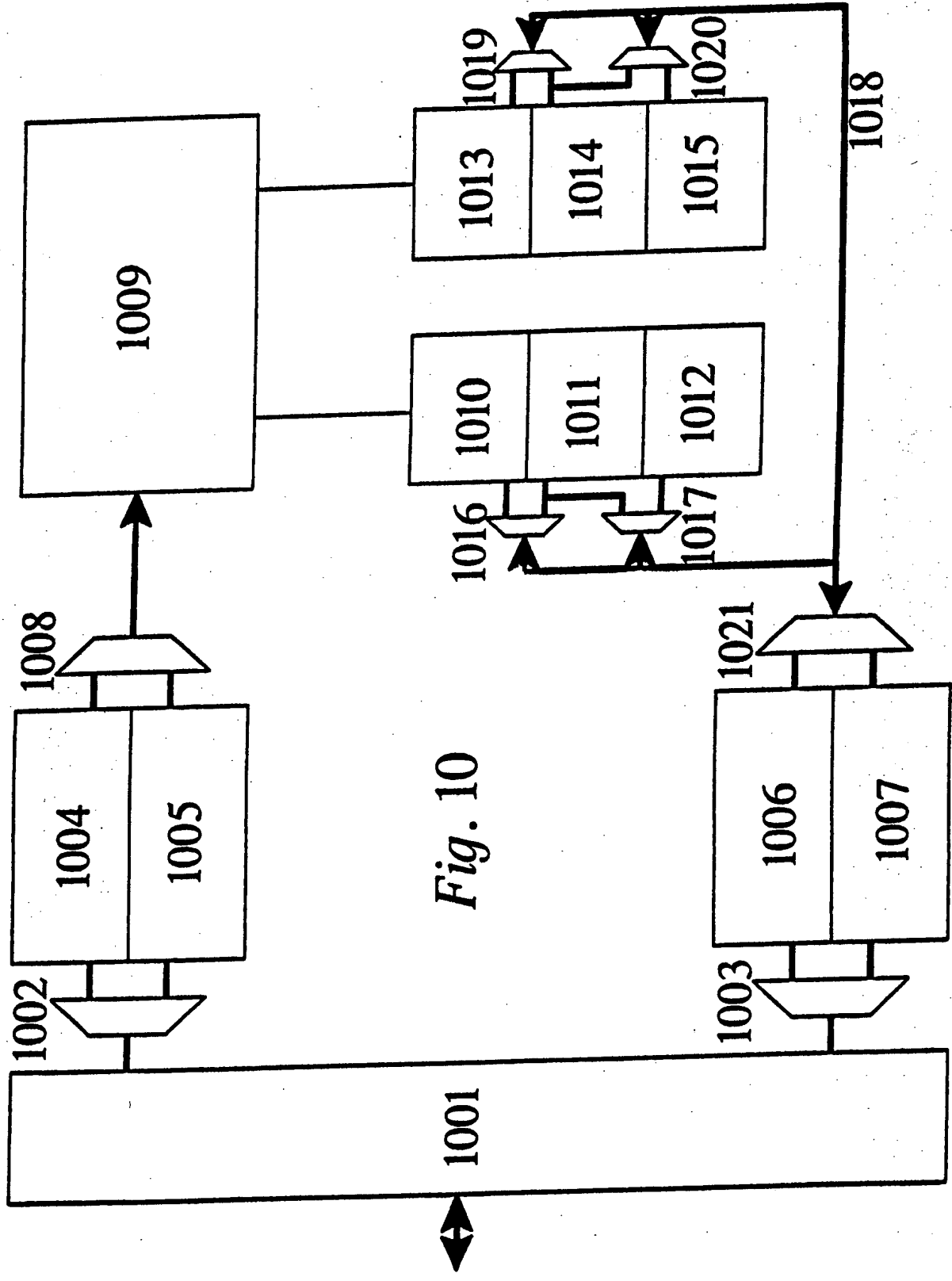


Fig. 10

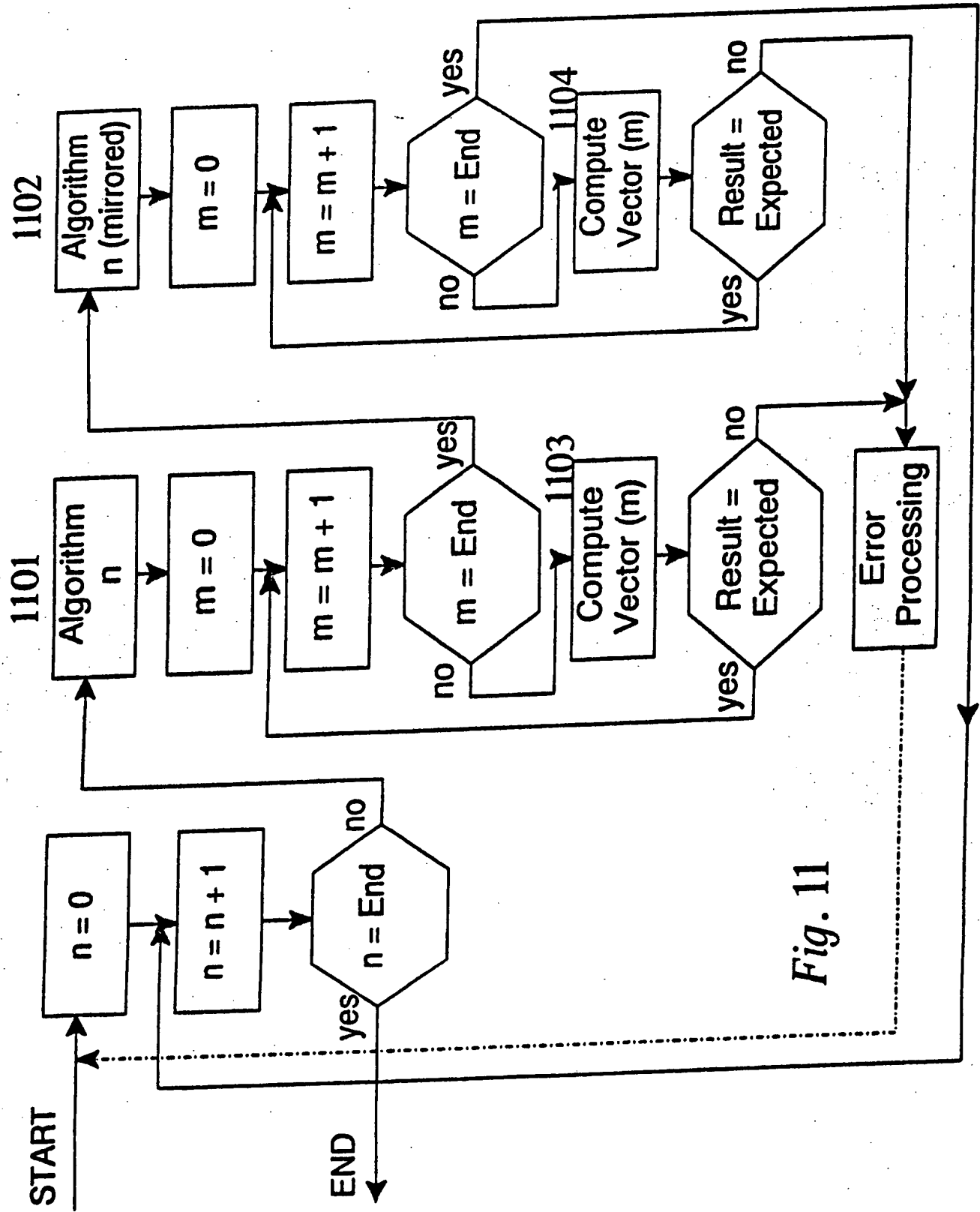


Fig. 11

Fig. 12b

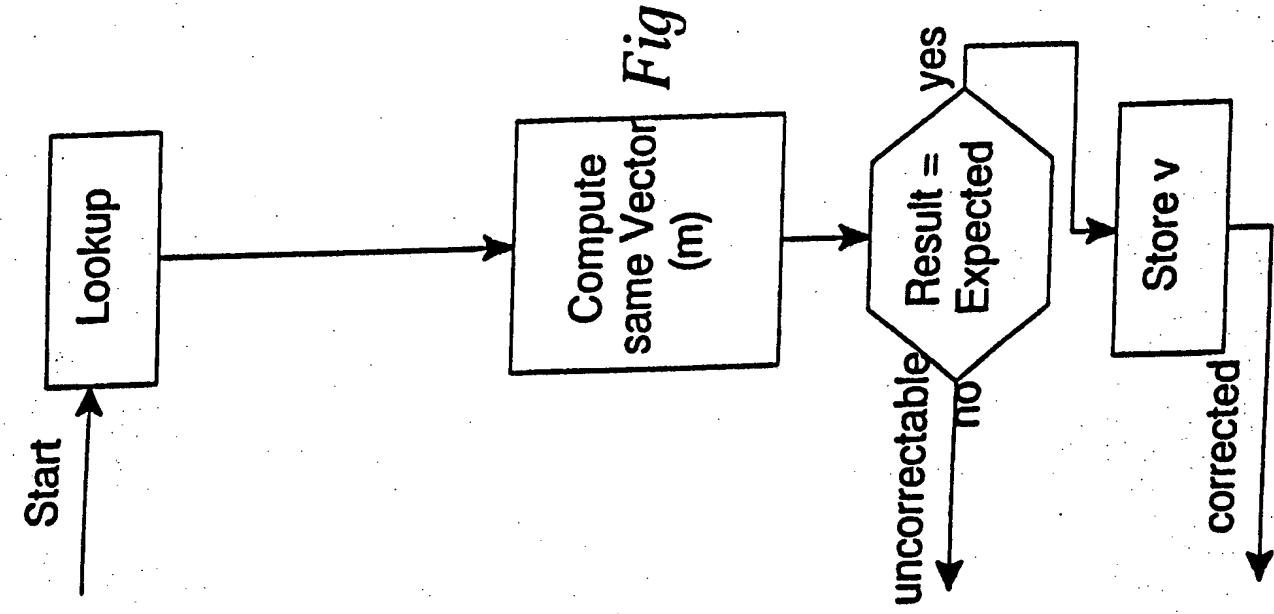
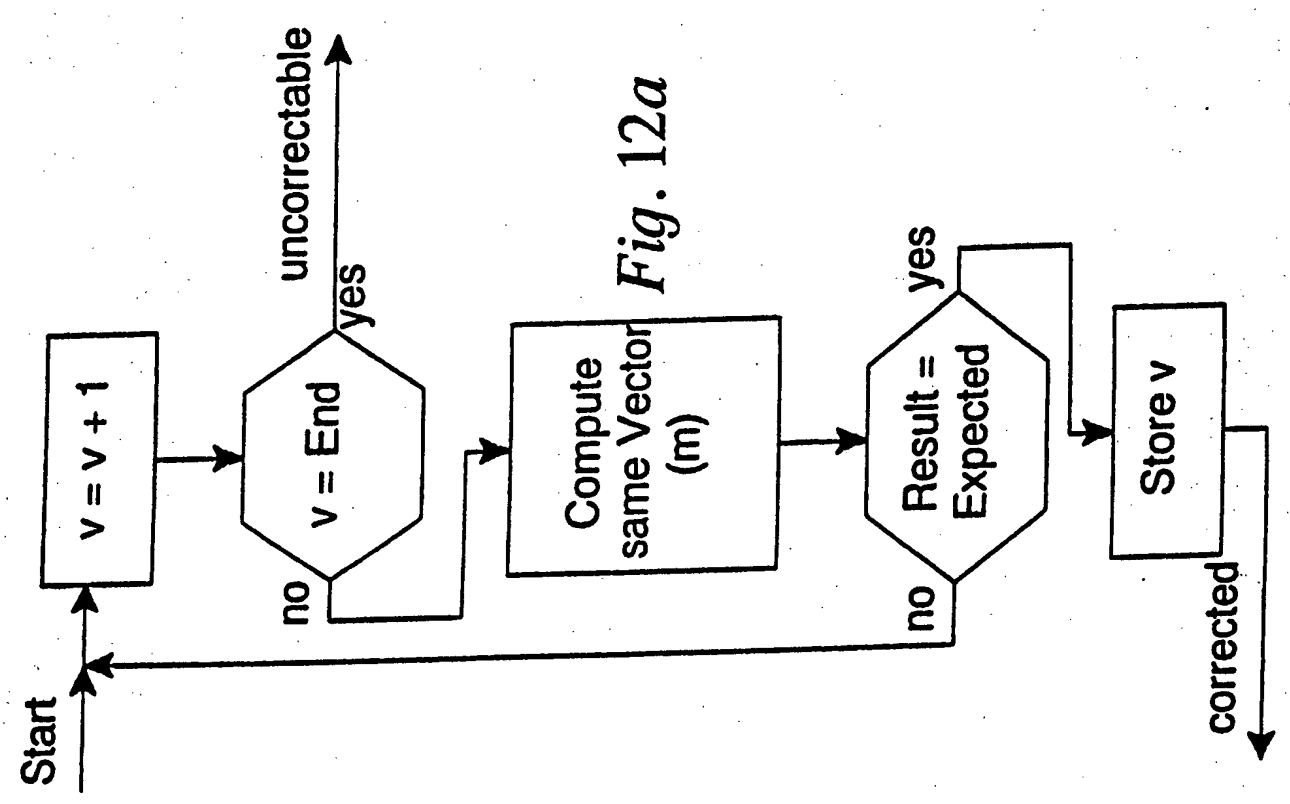


Fig. 12a



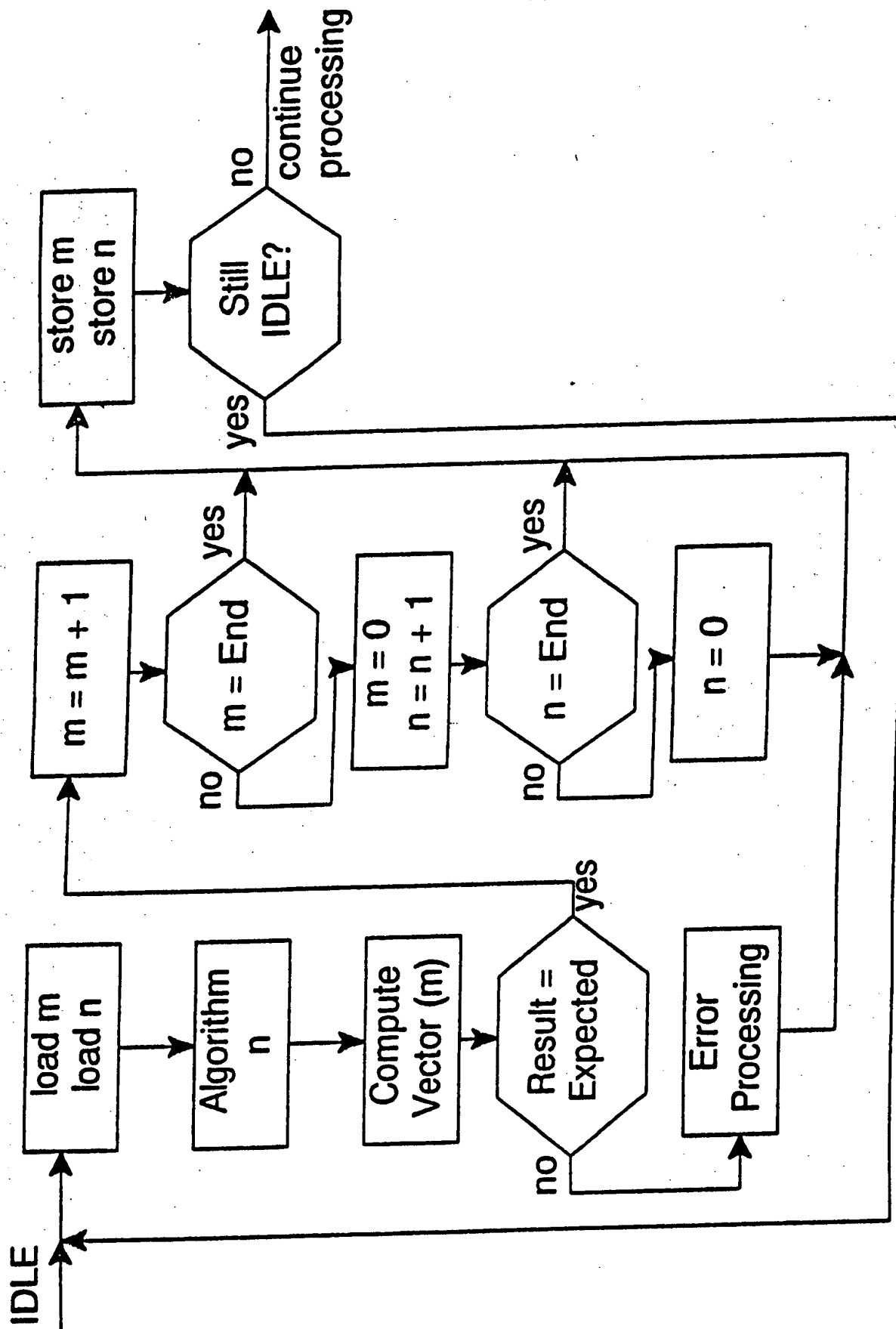


Fig. 13

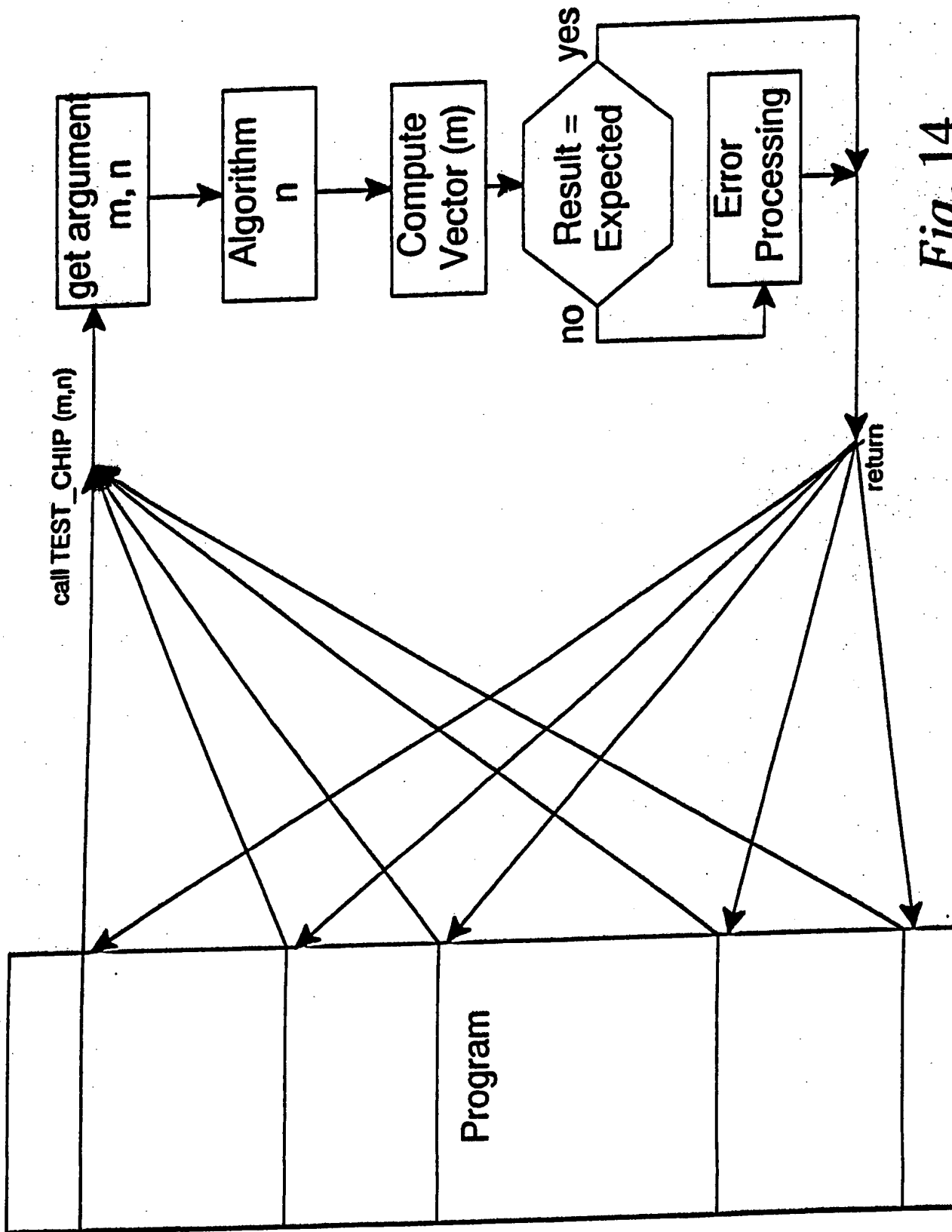


Fig. 14



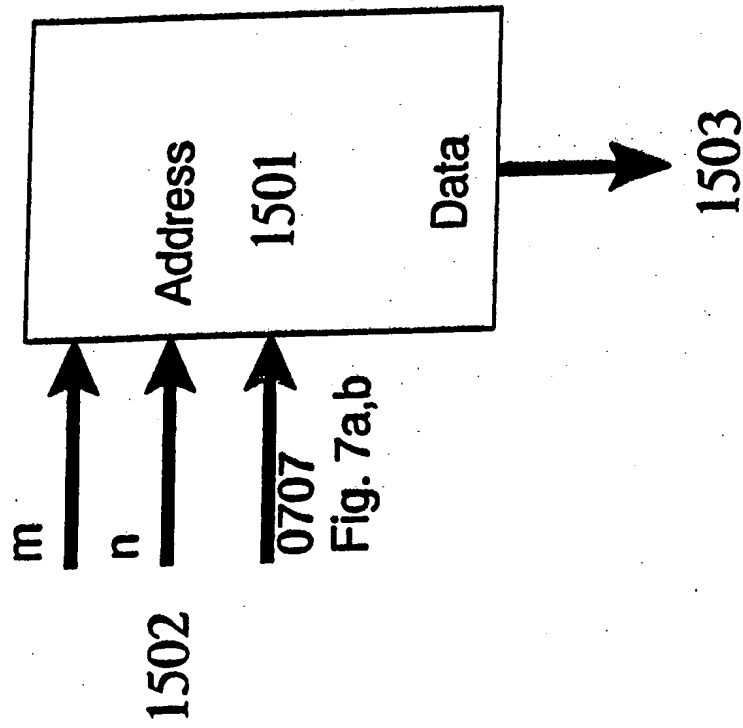


Fig. 15

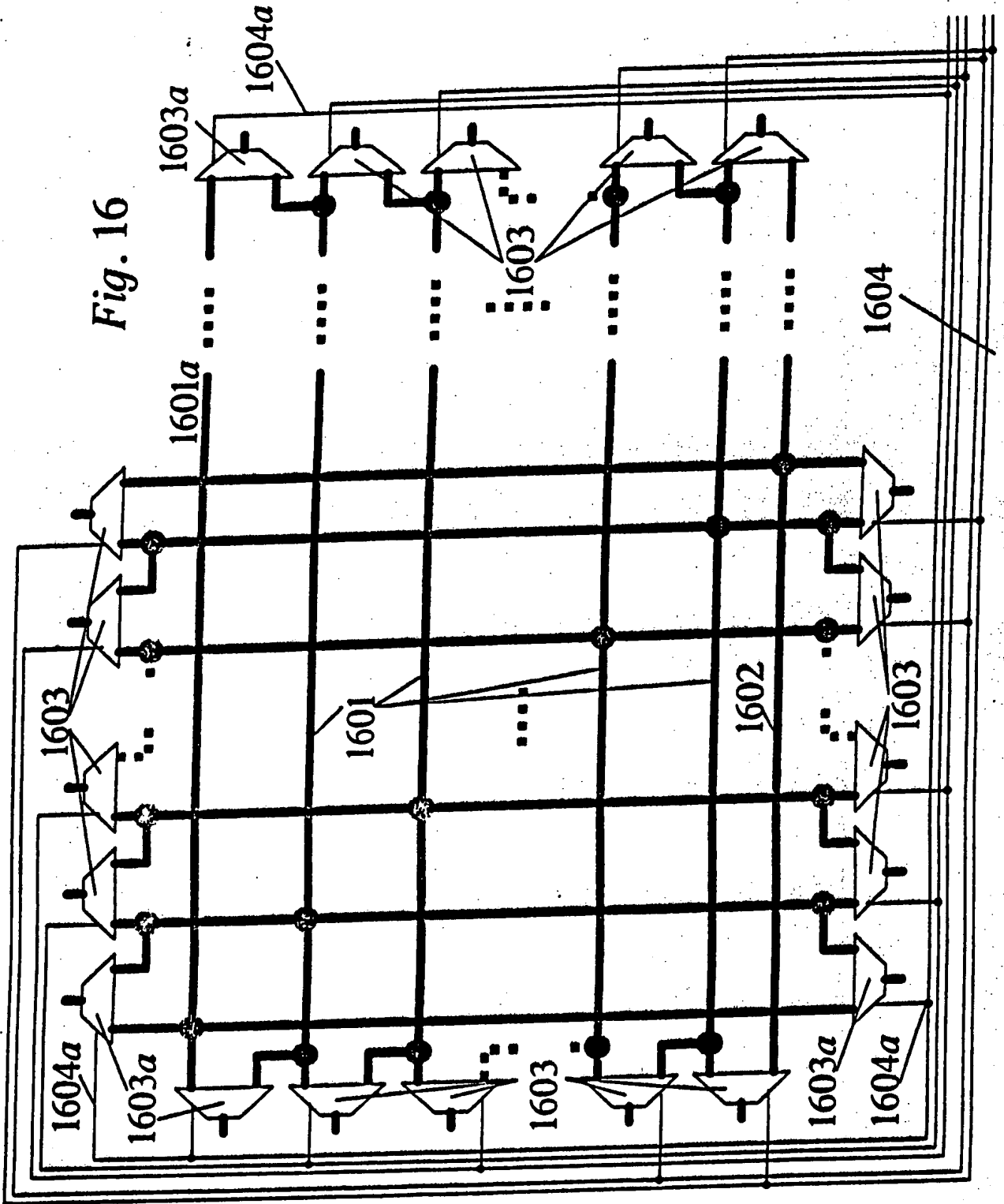


Fig. 16

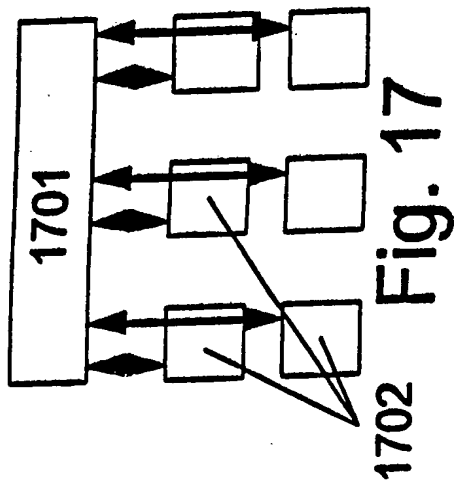


Fig. 18

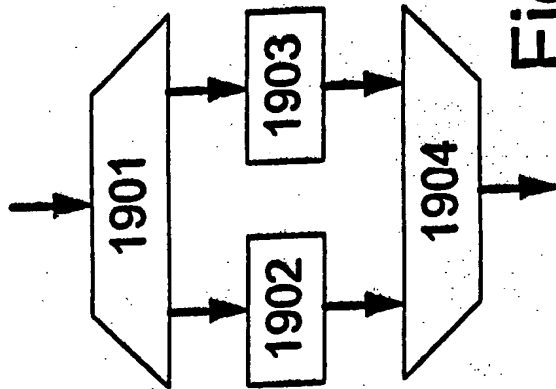
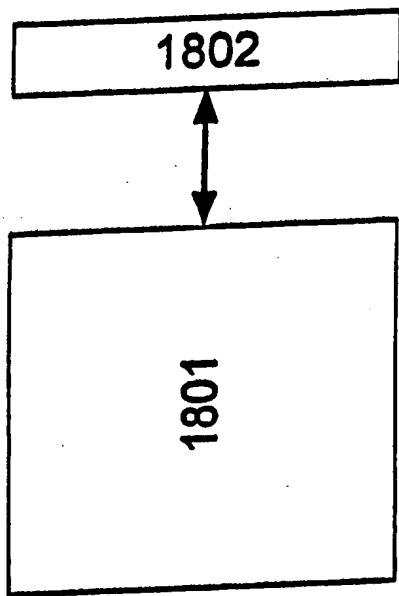


Fig. 19